

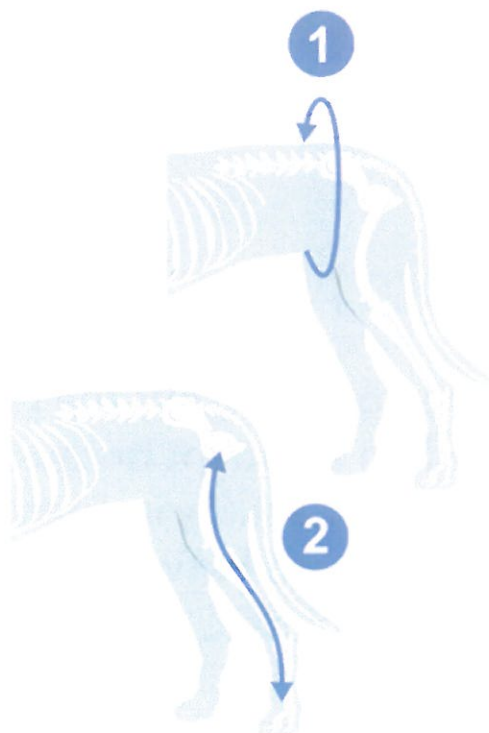
Size guide

Medical Protection Cover hind leg

Measuring

Take measurements in cm with animal standing up:

1. Measure the circumference of the waist just in front of the hind legs.
2. Measure the distance between the hip and the top of the paw, following the contour of the leg.



Size guide

Choose appropriate size below

Size	1. (cm)	2. (cm)
4XS	24 - 34	12 - 14.5
3XS	30 - 37	16 - 18.5
2XS	33 - 42	15 - 22
XS	34 - 44	23 - 29.5
S	43 - 55.5	30 - 37.5
S Wide	45 - 60	32 - 39 (wider thigh)
M	51 - 64	38 - 44.5
L	54 - 69.5	45 - 49.5
XL	69 - 86	50 - 59,5



Care instructions

- Remove fur and debris from the Velcro for best adhesion.
- Clean the MPC with mild detergent by hand, maximum 30 °C.

Return policy

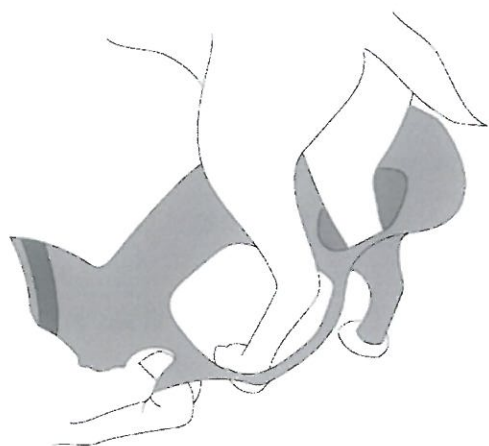
- We do not accept the return of products that have been fitted on a patient because of the infection risk through indirect contact. By indirect contact means that the bacteria are transferred between animals to products used previously on other animals.

Tel. +46 (0)31-21 41 28 Email: info@scandiop.se

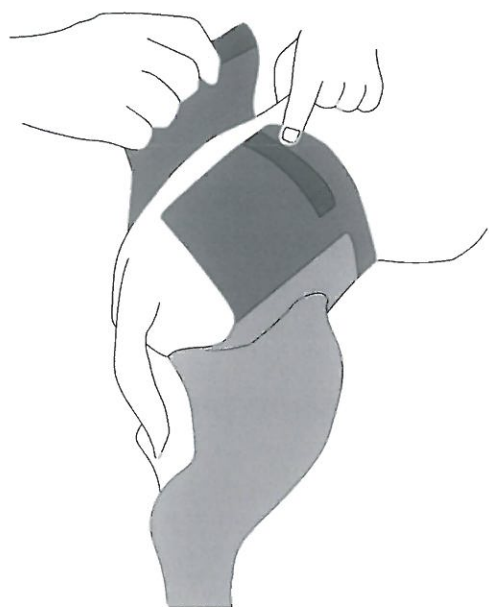


Instructions

MPC - Medical Protection Cover Hind Leg

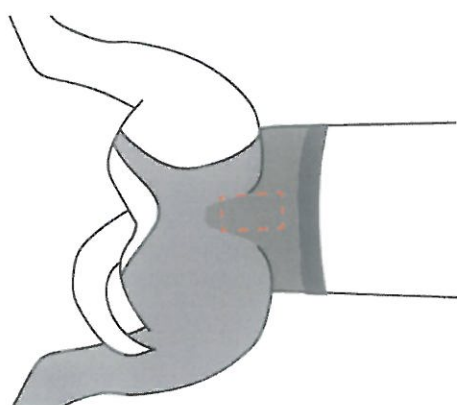


1. The MPC is easiest to apply while the animal stands up and the leg is in a natural position.
2. Place the not affected limb in the hole of the MPC.
3. Place the affected limb in the sleeve of the MPC.

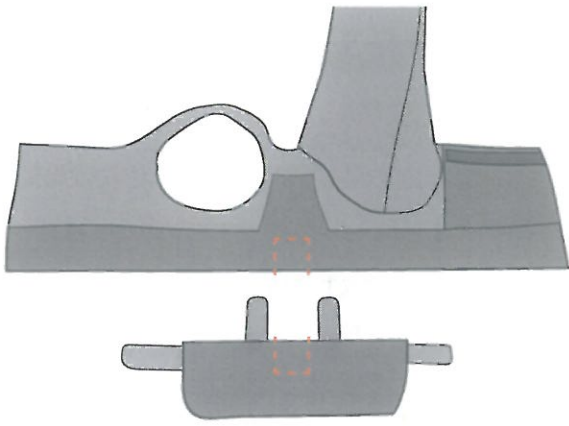


4. Tighten so that the MPC is shaped around the waist.

Fasten and adjust the MPC with the velcro.



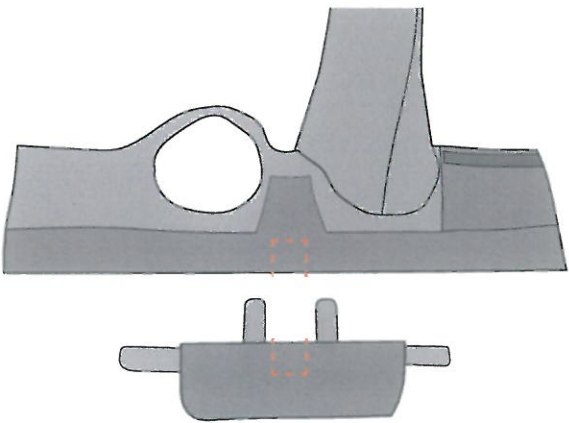
5. For a male dog you need to cut a hole for the genitals.
6. It is important not to cut the MPC too much without saving a piece of neoprene in the abdominal area.



6. If the genitals extend in front of the MPC length, then apply an extension piece sold separately. See 6.1 - 6.3.

6.1. To determine where and how much to cut the main unit, try it on the dog and use a marker pen or a chalk to mark out an appropriate cut out area.

Use scissors to cut out the marked area.



6.2. Place the extension piece parallel to the main unit with the velcro towards the main unit. Align the center of the extension to the main unit cut out.

Use scissors to cut out a piece of the extension. Make sure to avoid cutting into the velcro of the extension piece.

6.3. Attach the extension piece to the main unit.

7. If the MPC sleeve is too long, cut it with scissors. Cut the length of the sleeve below or distal to the blue seam.

8. Note! The Paw must have free movement and the MPC must not cause pressure or chafing on top of the paw.

